

## PROTECTION PRODUCTS

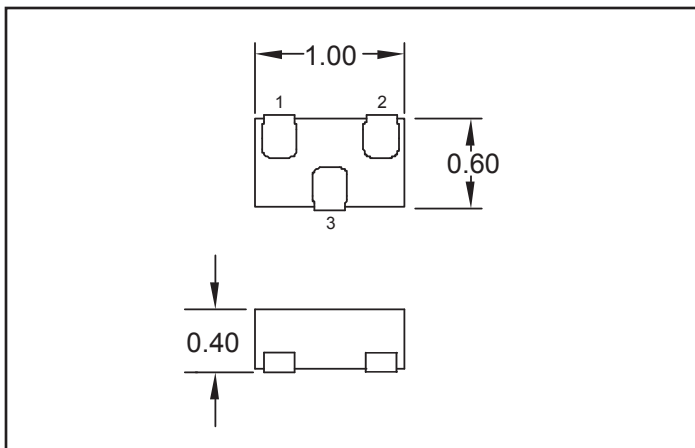
### Description

RClamp®3552T is a low voltage RailClamp which can provide ESD protection to IEC 61000-4-2 on highspeed ports. It is manufactured using Semtech's proprietary low voltage technology, designed to minimize both the ESD peak clamping and TLP clamping voltage. These devices "snap-back" to a low on-state voltage when the breakdown voltage of the device is exceeded. This has the advantage of lowering the overall ESD clamping voltage. When the device is in the on-state, the dynamic resistance is typically 0.30 Ohms, further minimizing the ESD clamping. Maximum capacitance is only 0.40pF allowing the RClamp3552T to be used in applications operating in excess of 6GHz without appreciable signal attenuation. Each device will protect two lines operating at 3.5 volts.

RClamp3552T is in a 3-pin SLP1006N3T package. It measures 1.0 x 0.6 mm with a nominal height of only 0.4mm. The leads are finished with lead-free NiPdAu.

The combination of low peak ESD clamping, low dynamic resistance, and low capacitance makes this device suitable for applications such as USB 3.0, LVDS, audio, and V-By-One interfaces.

### Package Dimension



### Features

- High ESD withstand Voltage: +/-17kV (Contact) & +/-20kV(Air) per IEC 61000-4-2
- Very small PCB area: 0.6 mm<sup>2</sup>
- Protects up to two data lines
- Low ESD clamping voltage
- Working voltage: 3.5 V
- Low capacitance: 0.40pF Maximum
- Low dynamic resistance: 0.30 Ohms Typical
- Solid-state silicon-avalanche technology

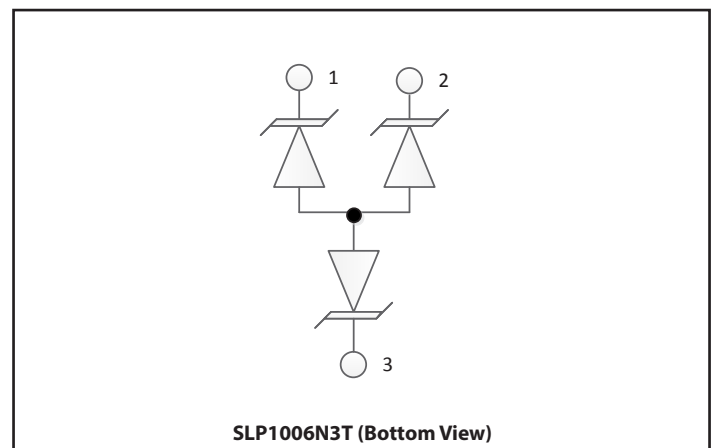
### Mechanical Characteristics

- SLP1006N3T package
- Pb-Free, Halogen Free, RoHS/WEEE compliant
- Nominal Dimensions: 1.0 x 0.6 x 0.40 mm
- Lead Finish: NiPdAu
- Molding compound flammability rating: UL 94V-0
- Marking: Marking code + dot matrix date code
- Packaging: Tape and Reel

### Applications

- USB 3.0
- V-By-One
- LVDS
- MIPI/MDDI
- MyDP
- Audio Ports

### Schematic & Pin Configuration



## Absolute Maximum Rating

Rating	Symbol	Value	Units
Peak Pulse Current ( $t_p = 8/20\mu s$ )	$I_{PP}$	4	A
ESD per IEC 61000-4-2 (Air) <sup>(1)</sup> ESD per IEC 61000-4-2 (Contact) <sup>(1)</sup>	$V_{ESD}$	$\pm 20$ $\pm 17$	kV
Operating Temperature	$T_J$	-40 to +125	°C
Storage Temperature	$T_{STG}$	-55 to +150	°C

## Electrical Characteristics (T=25°C unless otherwise specified)

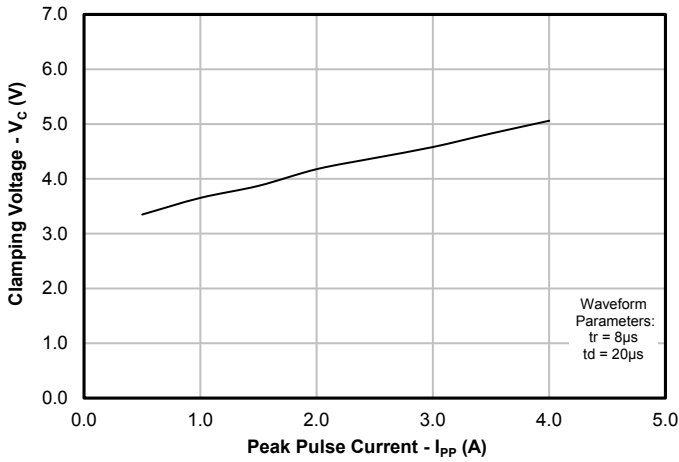
Parameter	Symbol	Conditions	Min.	Typ.	Max.	Units
Reverse Stand-Off Voltage	$V_{RWM}$	Pin 1 or 2 to Pin3			3.5	V
Reverse Breakdown Voltage	$V_{BR}$	$I_{BR} = 10\mu A$ , Pin 1 or 2 to Pin3	7.5	8.8	9.8	V
Reverse Leakage Current	$I_R$	$V_{RWM} = 3.5V$ , Pin 1 or 2 to Pin3		0.01	0.05	$\mu A$
Clamping Voltage	$V_C$	$t_p = 8/20\mu s$ , Pin 1 or 2 to Pin3	$I_{PP} = 1A$	3.5	5	V
			$I_{PP} = 4A$	5	6.5	
ESD Clamping Voltage <sup>2</sup>	$V_C$	$t_p = 0.2/100ns$ , Pin 1 or 2 to Pin3	$I_{PP} = 16A$	9.5		V
			$I_{PP} = -16A$	-9.5		
Dynamic Resistance <sup>2,3</sup> (Positive)	$R_{DYN}$	$t_p = 0.2/100ns$ , Pin 1 or 2 to Pin3		0.30		$\Omega$
Dynamic Resistance <sup>2,3</sup> (Negative)	$R_{DYN}$	$t_p = 0.2/100ns$ , Pin 1 or 2 to Pin3		0.30		
Junction Capacitance	$C_J$	$V_R = 0V$ , $f = 1MHz$ , Pin 1 or 2 to Pin3		0.30	0.40	pF

### Notes

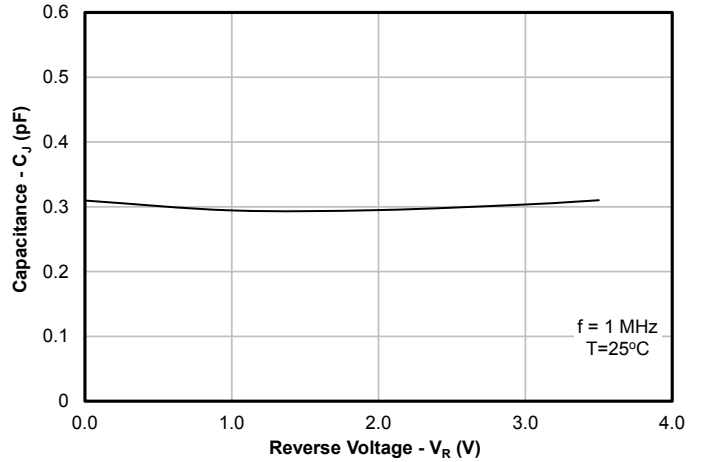
- 1) Measured with a 40dB attenuator, 50 Ohm scope input impedance, 2GHz bandwidth. ESD gun return path connected to ESD ground plane.
- 2) Transmission Line Pulse Test (TLP) Settings:  $t_p = 100ns$ ,  $t_r = 0.2ns$ ,  $I_{TLP}$  and  $V_{TLP}$  averaging window:  $t_1 = 70ns$  to  $t_2 = 90ns$ .
- 3) Dynamic resistance calculated from  $I_{TLP} = 4A$  to  $I_{TLP} = 16A$

# Typical Characteristics

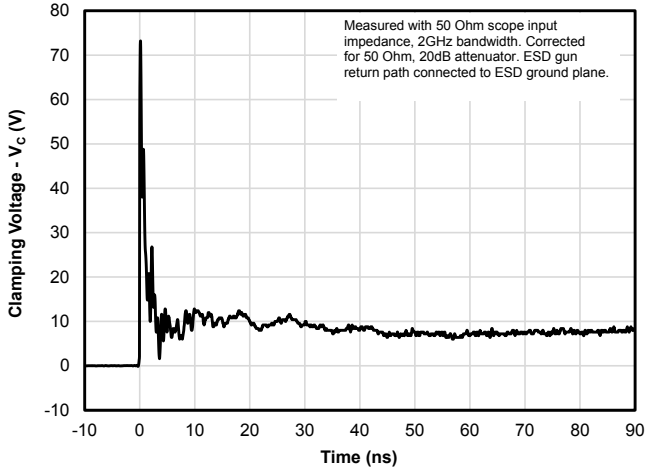
**Clamping Voltage vs. Peak Pulse Current ( $t_p=8/20\mu s$ )  
(Between any I/O and Ground)**



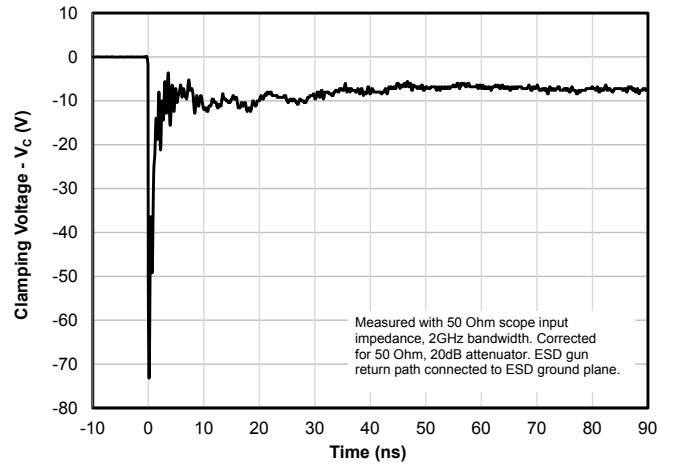
**Junction Capacitance vs. Reverse Voltage  
(Between any I/O and Ground)**



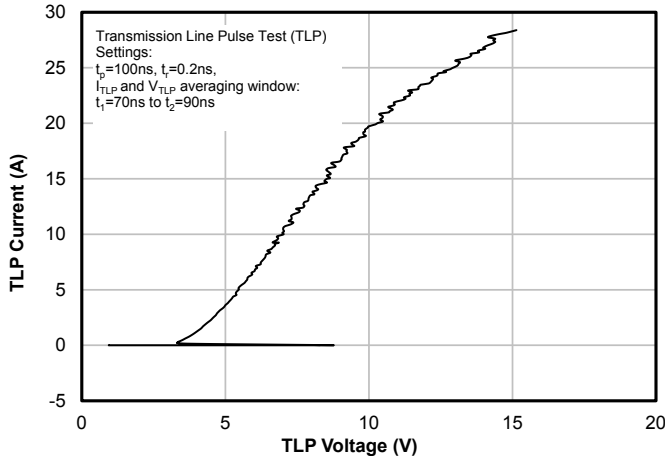
**ESD Clamping (+8kV Contact per IEC 61000-4-2)  
(Between any I/O and Ground)**



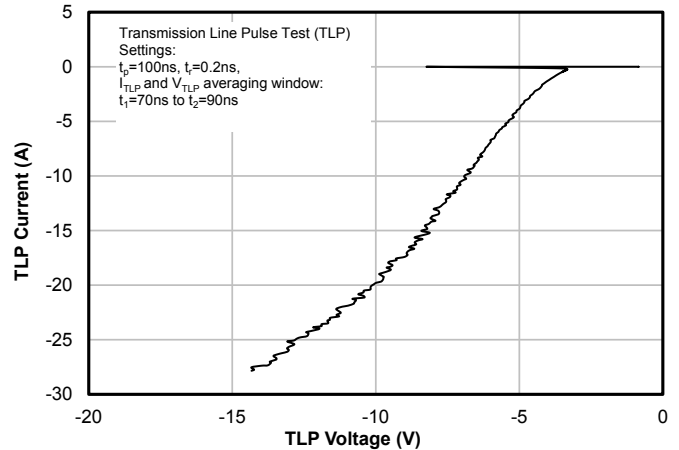
**ESD Clamping (-8kV Contact per IEC 61000-4-2)  
(Between any I/O and Ground)**



**TLP Characteristic (Positive)**

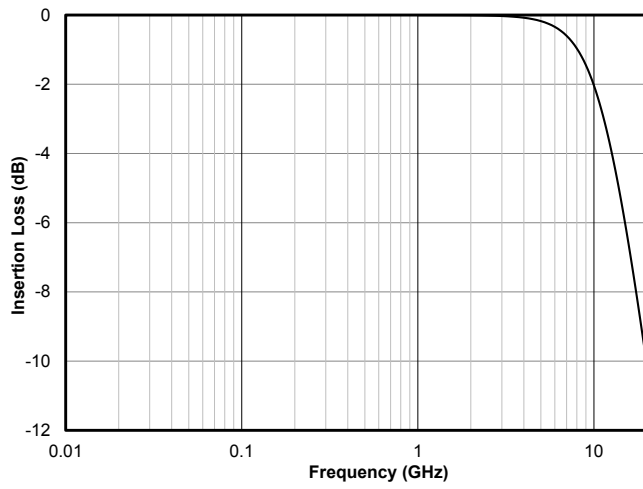


**TLP Characteristic (Negative)**

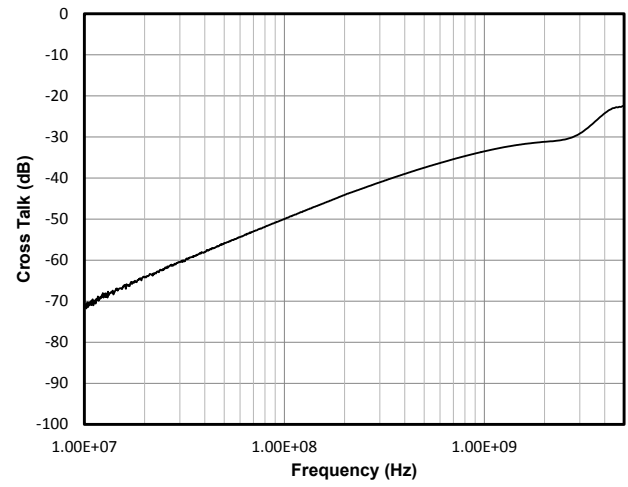


## Typical Characteristics (Continued)

Typical Insertion Loss - S21



Analog Crosstalk

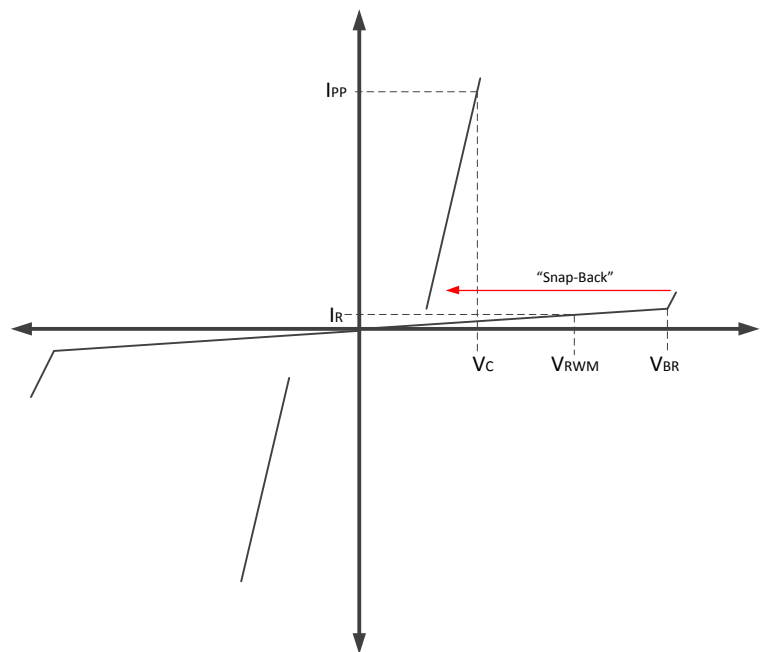


# Applications Information

## Device Operation

This device utilizes a multi-junction structure that is designed to switch to a low voltage state when triggered by ESD, EOS, or other transient events. During normal operation, the device will present a high impedance to the circuit for voltage up to the working voltage ( $V_{RWM}$ ) of the device. When the voltage across the device terminals exceeds the breakdown voltage ( $V_{BR}$ ), avalanche breakdown occurs in the blocking junction causing the device to “snap-back” or switch to a low impedance on-state. This has the advantage of lowering the overall clamping voltage ( $V_C$ ) as ESD peak pulse current ( $I_{PP}$ ) flows through the device. Once the current subsides, the device will return to a high impedance off-state. Since this device is bidirectional, it will behave the same way for positive or negative polarity transient events.

Symbol	Parameter
$V_{RWM}$	Maximum Working Voltage
$V_{TRIG}$	Trigger Voltage
$V_C$	Clamping Voltage
$I_R$	Reverse Leakage Current
$I_{PP}$	Peak Pulse Current



Characteristic Curve

# Applications Information

## Assembly Guidelines

The small size of this device means that some care must be taken during the mounting process to insure reliable solder joints. The figure at the right details Semtech's recommended mounting pattern. Recommended assembly guidelines are shown in Table 2. Note that these are only recommendations and should serve only as a starting point for design since there are many factors that affect the assembly process. Exact manufacturing parameters will require some experimentation to get the desired solder application. Semtech's recommended mounting pattern is based on the following design guidelines:

### Land Pattern

The recommended land pattern follows IPC standards and is designed for maximum solder coverage. Detailed dimensions are shown elsewhere in this document.

### Solder Stencil

Stencil design is one of the key factors which will determine the volume of solder paste which is deposited onto the land pad. The area ratio of the stencil aperture will determine how well the stencil will print. The area ratio takes into account the aperture shape, aperture size, and stencil thickness. An area ratio of 0.70 – 0.75 is preferred for the subject package. The area ratio of a rectangular aperture is given as:

$$\text{Area Ratio} = (L * W) / (2 * (L + W) * T)$$

Where:

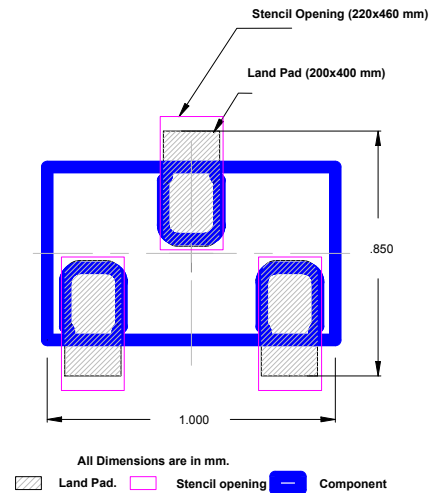
L = Aperture Length

W = Aperture Width

T = Stencil Thickness

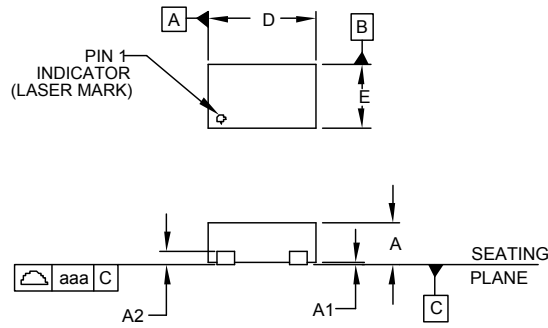
Semtech recommends a stencil thickness of 0.100mm for this device. The stencil should be laser cut with electro-polished finish. The stencil should have a positive taper of approximately 5 degrees. Electro polishing and tapering the walls results in reduced surface friction and better paste release. Due to the small aperture size, a solder paste with Type 4 or smaller particles are recommended. Assuming a 100um thick stencil, the aperture dimensions shown will yield an area ratio of approximately 0.75.

## Recommended Mounting Pattern

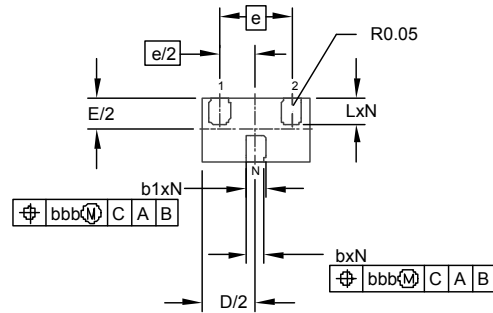


Assembly Parameter	Recommendation
Solder Stencil Design	Laser Cut, Electro-Polished
Aperture Shape	Rectangular
Solder Stencil Thickness	0.100mm (0.004")
Solder Paste Type	Type 4 size sphere or smaller
Solder Reflow Profile	Per JEDEC J-STD-020
PCB Solder pad Design	Non-Solder Mask Defined
PCB Pad Finish	OSP or NiAu

# Outline Drawing - SLP1006N3T



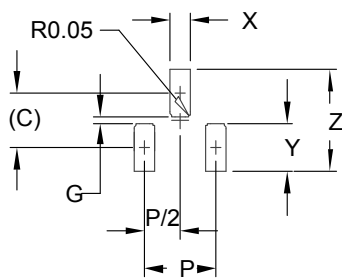
DIMENSIONS			
DIM	MILLIMETERS		
	MIN	NOM	MAX
A	0.37	0.40	0.43
A1	0.00	0.02	0.05
A2	(0.13)		
b	0.145	0.17	0.195
b1	0.175	0.20	0.225
D	0.90	1.00	1.10
E	0.50	0.60	0.70
e	0.68 BSC		
L	0.225	0.25	0.275
N	3		
aaa	0.08		
bbb	0.10		



**NOTES:**

1. CONTROLLING DIMENSIONS ARE IN MILLIMETERS (ANGLES IN DEGREES).

# Land Pattern - SLP1006N3T



DIMENSIONS	
DIM	MILLIMETERS
C	(0.45)
G	0.05
P	0.68
X	0.20
Y	0.40
Z	0.85

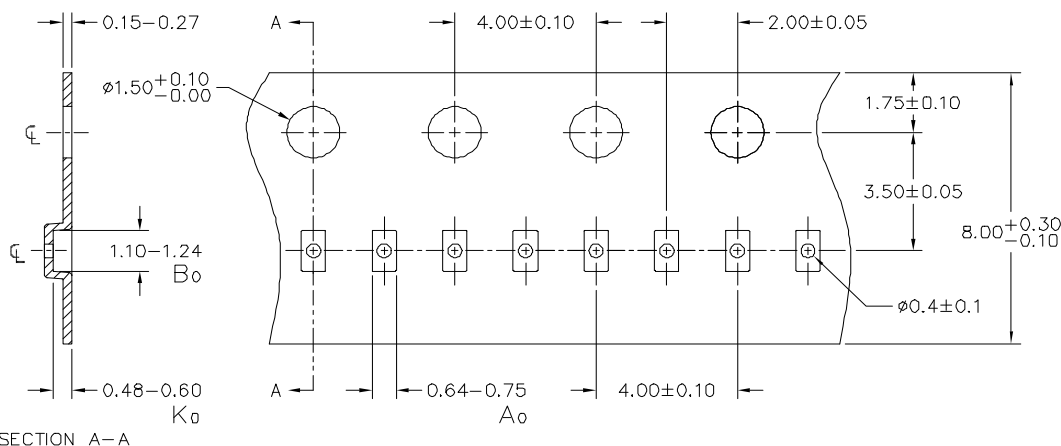
**NOTES:**

1. CONTROLLING DIMENSIONS ARE IN MILLIMETERS (ANGLES IN DEGREES).
2. THIS LAND PATTERN IS FOR REFERENCE PURPOSES ONLY. CONSULT YOUR MANUFACTURING GROUP TO ENSURE YOUR COMPANY'S MANUFACTURING GUIDELINES ARE MET.

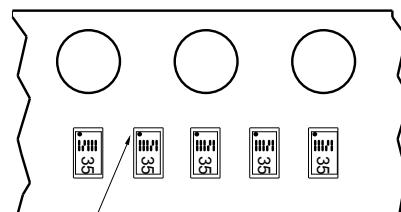
## Marking Code



## Tape and Reel Specification



NOTES: 1.) ALL DIMENSIONS IN MILLIMETERS UNLESS OTHERWISE SPECIFIED.



Pin 1 Location  
(Towards Sprocket Holes)

## Ordering Information

Part Number	Qty per Reel	Reel Size
RClamp3552T.TNT	10,000	7"





---

#### IMPORTANT NOTICE

Information relating to this product and the application or design described herein is believed to be reliable, however such information is provided as a guide only and Semtech assumes no liability for any errors in this document, or for the application or design described herein. Semtech reserves the right to make changes to the product or this document at any time without notice. Buyers should obtain the latest relevant information before placing orders and should verify that such information is current and complete. Semtech warrants performance of its products to the specifications applicable at the time of sale, and all sales are made in accordance with Semtech's standard terms and conditions of sale.

SEMTECH PRODUCTS ARE NOT DESIGNED, INTENDED, AUTHORIZED OR WARRANTED TO BE SUITABLE FOR USE IN LIFE-SUPPORT APPLICATIONS, DEVICES OR SYSTEMS, OR IN NUCLEAR APPLICATIONS IN WHICH THE FAILURE COULD BE REASONABLY EXPECTED TO RESULT IN PERSONAL INJURY, LOSS OF LIFE OR SEVERE PROPERTY OR ENVIRONMENTAL DAMAGE. INCLUSION OF SEMTECH PRODUCTS IN SUCH APPLICATIONS IS UNDERSTOOD TO BE UNDERTAKEN SOLELY AT THE CUSTOMER'S OWN RISK. Should a customer purchase or use Semtech products for any such unauthorized application, the customer shall indemnify and hold Semtech and its officers, employees, subsidiaries, affiliates, and distributors harmless against all claims, costs damages and attorney fees which could arise.

The Semtech name and logo are registered trademarks of the Semtech Corporation. All other trademarks and trade names mentioned may be marks and names of Semtech or their respective companies. Semtech reserves the right to make changes to, or discontinue any products described in this document without further notice. Semtech makes no warranty, representation or guarantee, express or implied, regarding the suitability of its products for any particular purpose. All rights reserved.

© Semtech 2015

---

#### Contact Information

Semtech Corporation  
200 Flynn Road, Camarillo, CA 93012  
Phone: (805) 498-2111, Fax: (805) 498-3804  
[www.semtech.com](http://www.semtech.com)